

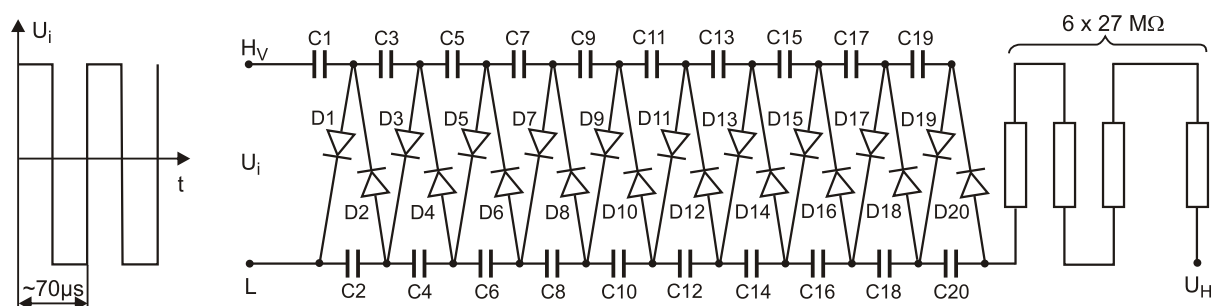
# HIGH VOLTAGE MULTIPLIER

WN

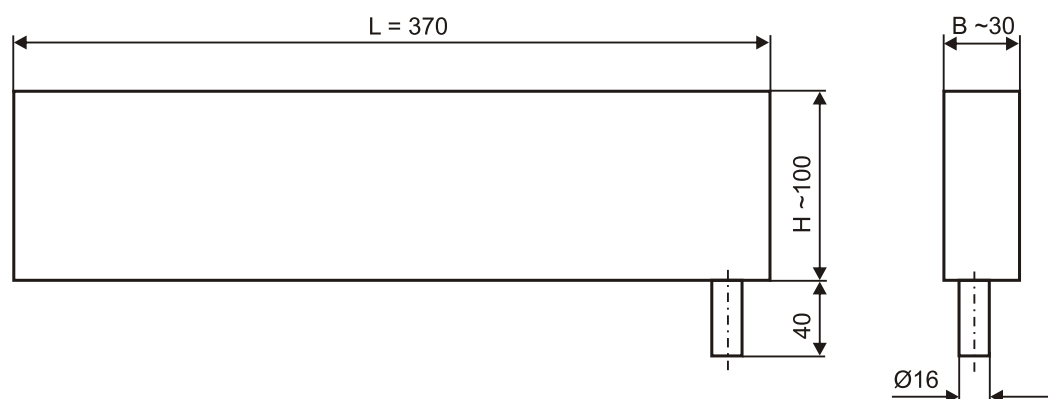
## Technical data:

- max entry operating voltage - inter peak value: 9 kV
- max antry voltage - inter peak value: 10 kV
- exit d.c voltage without load at inter peak value  
entry voltage 9 kV and frequency approx.15 kHz: 90 kV  $\pm$  10 %
- max exit current: 200  $\mu$ A

## Electrical diagram:



## Drawing:



# MITRA

Ltd  
99-300 Kutno; 1 Grunwaldzka St.  
Poland  
tel./fax: +48 24 253 60 71  
tel. +48 24 355 13 36  
<http://www.mitra.com.pl>  
e-mail: [mitra@mitra.com.pl](mailto:mitra@mitra.com.pl)