

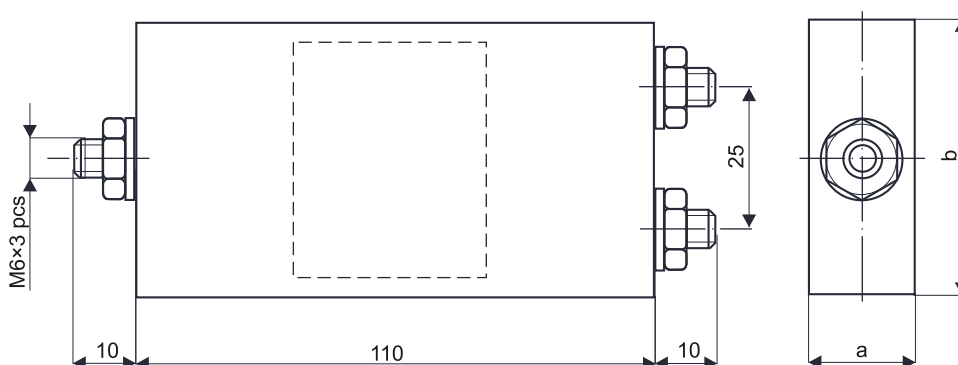
Application:

Mica capacitor has very stable dielectric /mica is olded millions years/ and silver electrodes. It is recommended for use in high frequency and reliability professionally circuits.

Technical data:

Capacitance tolerance	±5%
Rated voltage	12 kV
Electric strength of insulation	2 U _n ; 1 min
Dissipation factor:	
Cn ≤1000 pF at 1 Mhz	≤ 0,001
Cn >1000 pF at 1 kHz	≤ 0,0025
Insulation resistance	≥ 10000 MΩ
Weight	1000 g
Casing: not flame epoxy resin	

Capacitance	Dimensions	
	a	b
pF	mm	
500	20	50
1000	30	
1100		
1200		
1300	40	
1400		
1500		

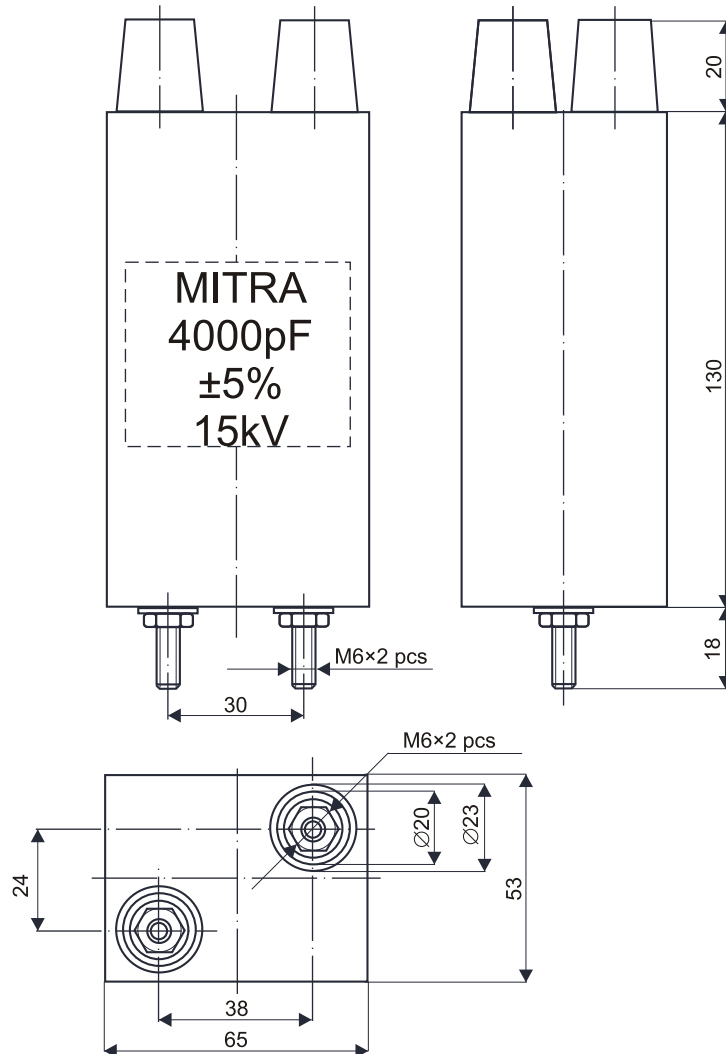


Application:

Mica capacitor has very stable dielectric /mica is olded millions years/.and silver electrodes. It is recommended for use in high frequency, voltage and reliability professionally circuits.

Technical data:

Rated capacitance	4000 pF
Capacitance tolerance	$\pm 5\%$
Rated voltage	15000 V-
Electric strenght of insulation	$2 U_n$, 1 min
Dissipation factor (at $f=1\pm 0,2$ kHz)	$\leq 0,0025$
Operating temperature	$-40 \div +70^\circ\text{C}$
Weight:	1800 g
Casing: not flame epoxy resin.	



MITRA

Ltd
99-300 Kutno; 1 Grunwaldzka St.
Poland
tel./fax: +48 24 253 60 71
tel. +48 24 355 13 36
<http://www.mitra.com.pl>
e-mail: mitra@mitra.com.pl

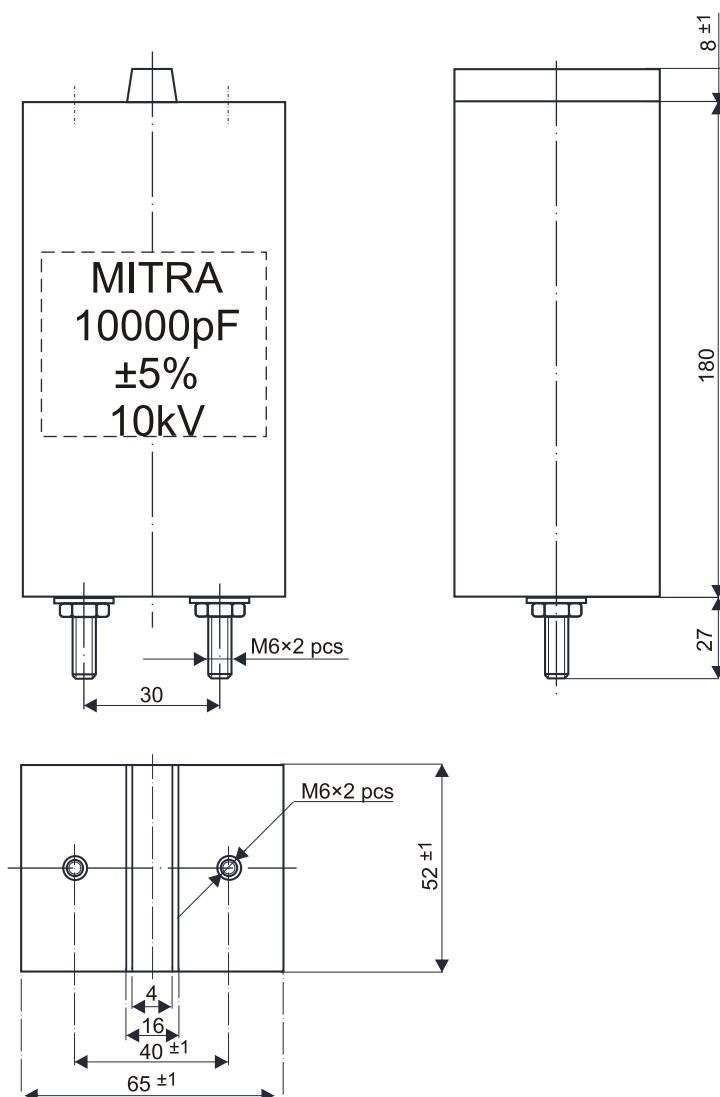
Application:

Mica capacitor has very stable dielectric /mica is olded millions years/ and silver electrodes. It is recommended for use in high frequency and reliability professionally circuits.

Technical data:

Rated capacitance	10000 pF
Capacitance tolerance	$\pm 5\%$
Rated voltage	10000 V-
Insulation resistance	≤ 10000 MW
Dissipation factor (at f=1 kHz)	$\leq 0,0025$
Operating temperature	$-40^{\circ}\text{C} \div +70^{\circ}\text{C}$
Weight:	1600 g
Casing: not flamme epoxy resin.	

Drawing:



MITRA

Ltd
99-300 Kutno; 1 Grunwaldzka St.
Poland
tel./fax: +48 24 253 60 71
tel. +48 24 355 13 36
<http://www.mitra.com.pl>
e-mail: mitra@mitra.com.pl