

ENERGY CAPACITORS LOW VOLTAGE

Offer one phase and three phase capacitors low voltage are designed for power factor correction by voltage to 690 V. Modern technology are based on construction completely material sections are made by metallized polipropylene foil. Every section has over-pressure disconnecter. Capacitors have discharge resistors fitted.

Available versions capacitors:

Capacitors are designed for instalment inside:

- one phase in case cylindrical aluminium,
- one phase in case prism shaped,
- three phase in case cylindrical aluminium,
- three phase in case prism shaped .

Technical data:

Rated voltage:	look the tabel
Rated frequency:	50/60 Hz
Capacitance tolerance:	-5% do +10%
Tg δ :	0,5 W/kVAr max
Safety:	Self-healing, overpressure disconnector
Permitted ambient temperature:	-25°C ... +50°C
Permitted ambient temperature in year:	+30°C
Permitted storage temperature:	-40°C ... +70°C
Permitted overload:	1,1 x U_R (rated voltage); 1,3 x I_R (rated current); 1,35 x Q_R (rated power).
In-rush current	Max. 130 x I_R
Max. weight per kVAr	Case cylindrical ~ 0,1 kg; Case prism shaped housing ~ 0,3 kg

The logo for MITRA, featuring the word "MITRA" in a large, bold, blue, sans-serif font. The letters are slightly shadowed to give a 3D effect.

Ltd
99-300 Kutno; 1 Grunwaldzka St.
Poland
tel./fax: +48 24 253 60 71
tel. +48 24 355 13 36
<http://www.mitra.com.pl>
e-mail: mitra@mitra.com.pl

ENERGY CAPACITORS LOW VOLTAGE

Periodical test capacitors:

- tightness test (90°C, 6h);
- voltage test between terminals voltage a.c.;
- voltage test between terminals and case voltage a.c.;
- dissipation factor test $\text{tg } \delta$;
- value test;
- thermal stability test .

Ever capacitors is testing. On 10% series capacitors are made thermal stability test.

Voltage test:

- Between terminals 2,15 x U_R , a.c., 10 s.
- Between terminals and case 3 kV a.c., 10 s.

Thermal stability test:

be made on 10 % series capacitors by:
1,2 x U_R , a.c., 48 h.

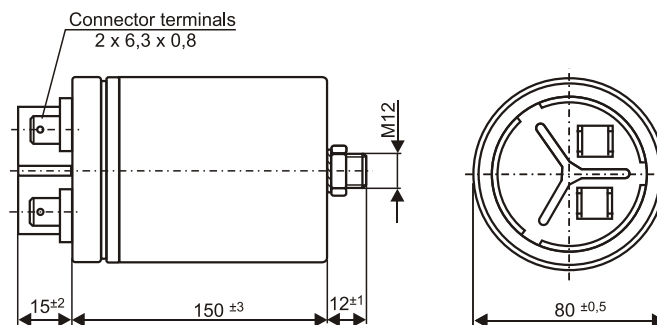
Norms:

Publication PN-EN 60831-1 and 2
IEC - 831-1 and 2

The logo for MITRA, featuring the word "MITRA" in a large, bold, blue, sans-serif font. The letters are slightly shadowed to give a 3D effect.

Ltd
99-300 Kutno; 1 Grunwaldzka St.
Poland
tel./fax: +48 24 253 60 71
tel. +48 24 355 13 36
<http://www.mitra.com.pl>
e-mail: mitra@mitra.com.pl

CAPACITORS IN CYLINDRICAL ALUMINIUM CASE



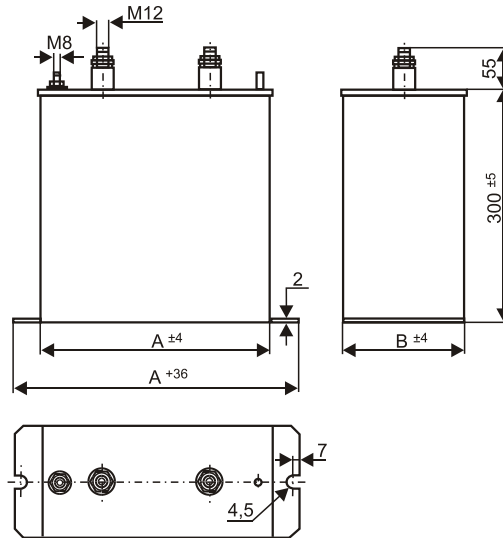
Power capacitors 1,5 ÷ 2,5 kVAr

RATED VOLTAGE	RATED POWER	CAPACITANCE VALUE	RATED CURRENT
V 50 Hz	kVAr	µF	A
230	1,5	90,1	6,5
230	2,0	120,4	8,7
230	2,5	150,4	10,9
550	2,0	21	3,6
550	2,5	26	4,6

MITRA

Ltd
99-300 Kutno; 1 Grunwaldzka St.
Poland
tel./fax: +48 24 253 60 71
tel. +48 24 355 13 36
<http://www.mitra.com.pl>
e-mail: mitra@mitra.com.pl

CAPACITORS IN METAL PERPENDICULAR CASE



Power capacitors 1,5 ÷ 60 kVAr

RATED VOLTAGE	RATED POWER	CAPACITANCE VALUE	RATED CURRENT	DIMENSIONS		
				A	B	M
V 50 Hz	kVAr	µF	A	mm	mm	mm
230	5,0	300,9	21,7	205	70	M 8
230	7,5	450,6	32,6	205	70	M 8
230	10,0	602,1	43,4	205	140	M 8
230	12,5	752,1	54,3	205	140	M 8
230	15,0	903,0	65,2	205	140	M 12
230	20,0	1203,6	86,9	410	140	M 12
230	25,0	1504,4	108,6	410	140	M 12
400	5,0	99,5	12,5	205	70	M 8
400	7,5	149,1	18,7	205	70	M 8
400	10,0	198,8	25,0	205	70	M 8
400	12,5	248,5	31,2	205	70	M 8
400	15,0	298,2	37,5	205	70	M 8
400	20,0	397,6	50,0	205	70	M 8
400	25,0	497,0	62,5	205	70	M 8
400	30,0	596,4	75,0	410	70	M 8
400	40,0	795,2	100,0	410	140	M 12
400	50,0	994,0	125,0	410	140	M 12

ONE - PHASE ENERGY CAPACITORS LOW VOLTAGE

KMBP - 01

RATED VOLTAGE	RATED POWER	CAPACITANCE VALUE	RATED CURRENT	DIMENSIONS		
				A	B	M
V 50 Hz	kVAr	μ F	A	mm	mm	mm
550	5,0	52,5	9,1	205	70	M 8
550	7,5	78,7	13,6	205	70	M 8
550	10,0	105,0	18,1	205	70	M 8
550	12,5	131,2	22,7	205	70	M 8
550	15,0	157,5	27,2	205	70	M 8
550	20,0	210,0	36,3	205	70	M 8
550	25,0	262,5	45,4	250	90	M 8
550	30,0	315,0	54,5	410	70	M 8
550	40,0	420,0	72,7	410	140	M 12
550	50,0	525,0	90,9	410	140	M 12
550	60,0	630,0	109,1	500	180	M 12

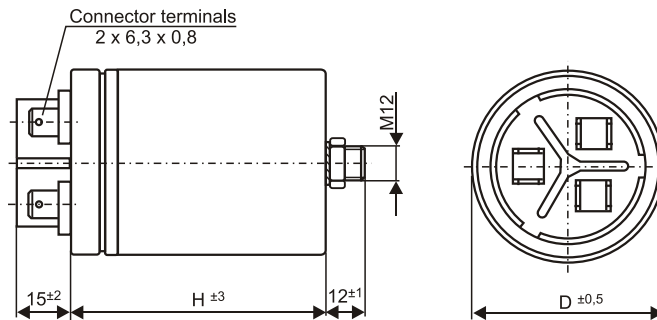
The logo for MITRA, featuring the word "MITRA" in a stylized, bold, blue font with a white outline and a slight 3D effect.

Ltd
99-300 Kutno; 1 Grunwaldzka St.
Poland
tel./fax: +48 24 253 60 71
tel. +48 24 355 13 36
<http://www.mitra.com.pl>
e-mail: mitra@mitra.com.pl

THREE - PHASE ENERGY CAPACITORS LOW VOLTAGE

KMBC - 03

CAPACITORS IN CYLINDRICAL ALUMINIUM CASE



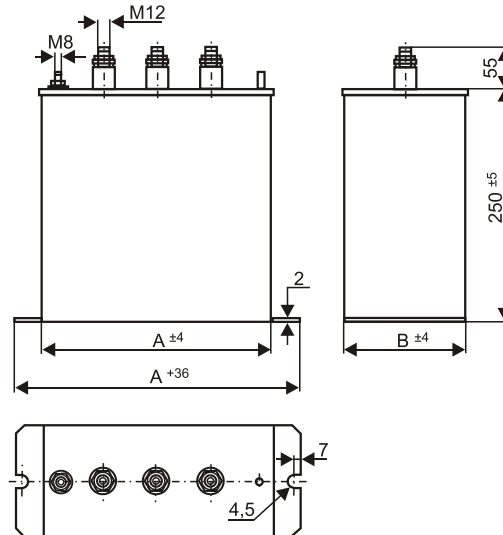
Power capacitors 1 ÷ 15 kVAr

RATED VOLTAGE	RATED POWER	CAPACITANCE VALUE	RATED CURRENT	DIMENSIONS	
				H	D
V 50 Hz	kVAr	µF	A	mm	mm
400	1,0	3 x 6,64	1,4	160	50
400	1,5	3 x 9,96	2,2	160	50
400	2,0	3 x 13,30	2,9	160	50
400	2,5	3 x 16,60	3,6	160	65
400	5,0	3 x 33,20	7,2	160	65
400	10,0	3 x 66,30	14,4	230	80
400	12,5	3 x 82,90	18,0	230	80
400	15,0	3 x 99,50	21,7	230	80

MITRA

Ltd
99-300 Kutno; 1 Grunwaldzka St.
Poland
tel./fax: +48 24 253 60 71
tel. +48 24 355 13 36
<http://www.mitra.com.pl>
e-mail: mitra@mitra.com.pl

CAPACITORS IN METAL PERPENDICULAR CASE



Power capacitors 5 ÷ 60 kVAr

RATED VOLTAGE	RATED POWER	CAPACITANCE VALUE	RATED CURRENT	DIMENSIONS	
				A	B
V 50 Hz	kVAr	µF	A	mm	mm
230	5,0	3 x 100,3	12,5	205	70
230	10,0	3 x 200,7	25,1	205	140
230	12,5	3 x 250,7	31,1	205	140
230	15,0	3 x 301,0	37,6	250	180
230	20,0	3 x 401,2	50,2	250	180
230	25,0	3 x 501,5	62,7	410	140
230	30,0	3 x 602,1	75,3	500	180
400	5,0	3 x 33,2	7,2	205	70
400	7,5	3 x 49,7	10,8	205	70
400	10,0	3 x 66,3	14,4	205	70
400	12,5	3 x 82,9	18,0	205	70
400	15,0	3 x 99,5	21,7	205	70
400	20,0	3 x 132,6	28,9	400	70
400	25,0	3 x 165,8	36,1	400	140
400	30,0	3 x 198,9	43,3	400	140
400	40,0	3 x 265,3	57,7	400	140
400	50,0	3 x 331,6	72,2	400	200
400	60,0	3 x 397,9	86,6	400	200

Ltd
99-300 Kutno; 1 Grunwaldzka St.
Poland
tel./fax: +48 24 253 60 71
tel. +48 24 355 13 36
<http://www.mitra.com.pl>
e-mail: mitra@mitra.com.pl

THREE - PHASE ENERGY CAPACITORS LOW VOLTAGE

KMBP - 03

RATED VOLTAGE	RATED POWER	CAPACITANCE VALUE	RATED CURRENT	DIMENSIONS	
				A	B
V 50 Hz	kVAr	μ F	A	mm	mm
440	5,0	3 x 27,4	6,5	205	70
440	7,5	3 x 41,1	9,8	205	70
440	10,0	3 x 54,8	13,1	205	70
440	12,5	3 x 68,5	16,4	250	90
440	15,0	3 x 82,2	19,7	250	90
440	20,0	3 x 109,6	26,3	205	148
440	25,0	3 x 137,0	32,8	205	148
440	30,0	3 x 164,4	39,4	250	90
440	40,0	3 x 219,2	52,6	410	140
440	50,0	3 x 272,0	65,6	410	140
440	60,0	3 x 328,8	78,8	500	180
525	5,0	3 x 19,3	5,5	205	70
525	7,5	3 x 28,9	8,2	205	70
525	10,0	3 x 38,5	11,0	205	70
525	12,5	3 x 48,1	13,8	205	70
525	15,0	3 x 57,7	16,5	250	90
525	20,0	3 x 77,0	22,0	205	70
525	25,0	3 x 96,2	27,5	250	90
525	30,0	3 x 115,4	33,0	250	90
525	40,0	3 x 154,0	44,0	410	140
525	50,0	3 x 192,4	55,0	410	140
525	60,0	3 x 231,1	66,0	500	180
690	5,0	3 x 11,1	4,2	205	70
690	10,0	3 x 22,3	8,4	205	70
690	12,5	3 x 27,9	10,5	250	90
690	20,0	3 x 44,7	16,7	205	140
690	25,0	3 x 55,7	20,9	250	180
690	40,0	3 x 89,4	33,5	410	140
690	50,0	3 x 111,0	41,8	500	180



Ltd
99-300 Kutno; 1 Grunwaldzka St.
Poland
tel./fax: +48 24 253 60 71
tel. +48 24 355 13 36
<http://www.mitra.com.pl>
e-mail: mitra@mitra.com.pl