

Application:

Capacitor MF is designed for work in generator at frequency from 50 Hz to 50 kHz.

Technical data:

Operating voltage

$U_N = 200 \div 2000V$

Permissible operating voltage

$U_N \times 1,05$

Permissible operating current

$I_N \times 1,2$

Losses

$0,15 \div 0,7 \text{ W/kVAr}$

Max operating temperature

45° C

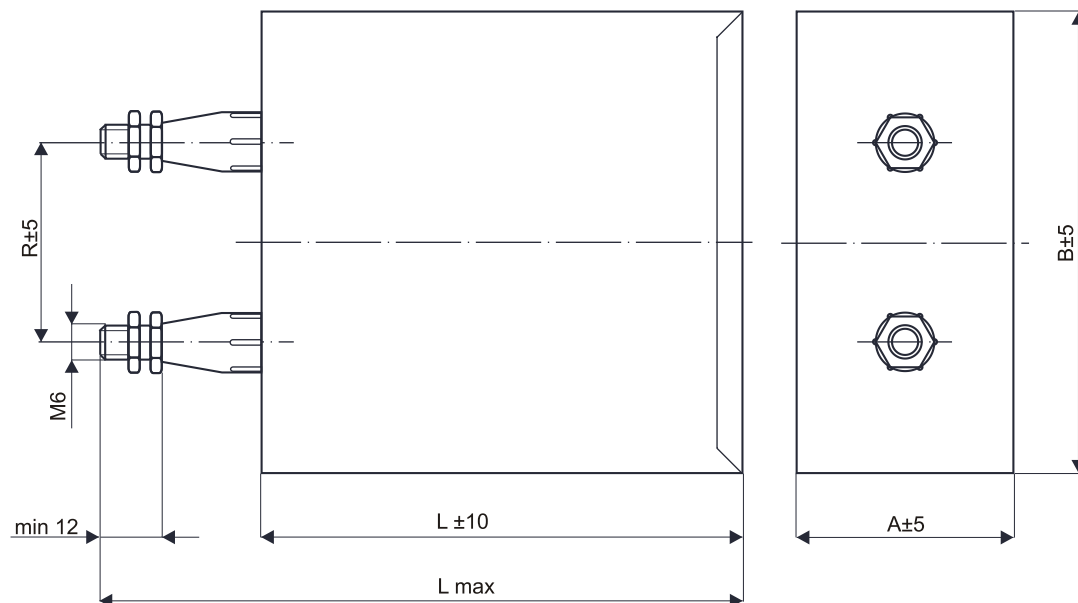
Table:

| f _N (kHz) | U _N (V) | Q _N (kVAr) | C _N (μF) | Dimensions | | | | Terminations |
|-------------------------|-----------------------|--------------------------|------------------------|------------|-----|-----|------------------|--------------|
| | | | | A | B | L | L _{max} | |
| 2,5 | 2000 | 106 | 1,7 | 65 | 130 | 320 | 370 | M12 |
| 2,5 | 2000 | 213 | 3,4 | 65 | 130 | 320 | 370 | M12 |
| 25 | 1000 | 282 | 1 | 55 | 70 | 175 | 210 | M12 |
| 30 | 425 | 80 | 1 | 65 | 70 | 115 | 150 | M10 |
| 30 | 320 | 38 | 2 | 70 | 70 | 160 | 195 | M10 |
| 45 | 1000 | 509 | 1 | 55 | 70 | 175 | 210 | M16 |
| 45 | 800 | 218 | 1,2 | 55 | 70 | 175 | 210 | M16 |
| 45 | 500 | 282 | 4 | 55 | 140 | 340 | 375 | Cu4x20 |
| 50 | 1500 | 70 | 0,1 | 35 | 65 | 65 | 100 | M6 |
| 50 | 1500 | 212 | 0,3 | 60 | 65 | 90 | 125 | M6 |
| 50 | 1000 | 1570 | 5 | 100 | 300 | 300 | 360 | M16 |



Ltd
 99-300 Kutno; 1 Grunwaldzka St.
 Poland
 tel./fax: +48 24 253 60 71
 tel. +48 24 355 13 36
<http://www.mitra.com.pl>
 e-mail: mitra@mitra.com.pl

Drawing:



Exploitation recommendations:

Proper work capacitors MF need forced cooling, which allow keep casing temperature not higher than $+45^{\circ}\text{C}$.

MITRA

Ltd
99-300 Kutno; 1 Grunwaldzka St.
Poland
tel./fax: +48 24 253 60 71
tel. +48 24 355 13 36
<http://www.mitra.com.pl>
e-mail: mitra@mitra.com.pl

MEDIUM - FREQUENCY CAPACITOR WATER COOLING

MF

Application:

Capacitor MF is designed for work in generator at frequency from 50 Hz to 100 kHz.

Technical data:

Operating voltage

$U_N = 200 \div 3000V$

Permissible operating voltage

$U_N \times 1,05$

Permissible operating current

$I_N \times 1,2$

Losses

$0,15 \div 0,7 W/kVAr$

Max operating temperature

$45^\circ C$

Impregnant

NON PCB

Water cooling

$4,5 \div 18 l/min$

Attention:

Division of power capacitor is made at customer request.

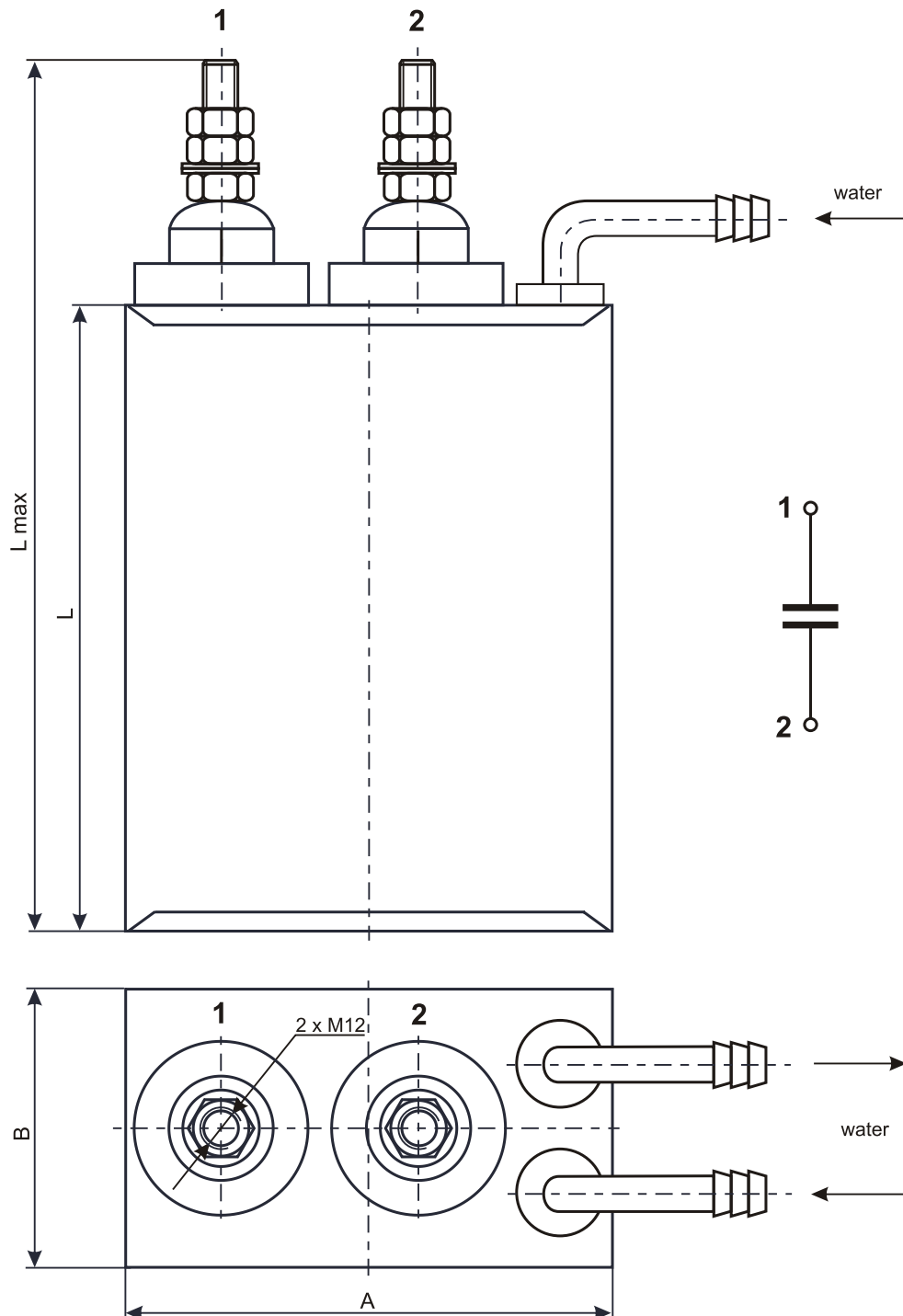
Table:

| f _N (kHz) | U _N (V) | Q _N (kVAr) | C _N (μF) | Dimensions | | | | Terminations |
|-------------------------|-----------------------|--------------------------|------------------------|------------|-----|-----|------------------|--------------|
| | | | | A | B | L | L _{max} | |
| 2 | 1000 | 1633 | 130 | 155 | 420 | 420 | 520 | M12,M20 |
| 2 | 1000 | 2512 | 200 | 155 | 420 | 550 | 620 | M20 |
| 3 | 1283 | 460 | 14,52 | 100 | 340 | 280 | 360 | M12 |
| 9 | 700 | 2215 | 80 | 100 | 630 | 450 | 530 | M12,M20 |
| 9 | 700 | 2770 | 100 | 100 | 700 | 550 | 630 | M12,M20 |
| 10 | 600 | 904 | 40 | 100 | 330 | 550 | 630 | M12,M20 |
| 10 | 750 | 1836 | 52 | 100 | 330 | 550 | 630 | M20 |
| 10 | 1000 | 1570 | 25 | 100 | 330 | 550 | 630 | M20 |
| 10 | 1000 | 3140 | 50 | 100 | 630 | 500 | 580 | M12,M20 |
| 50 | 650 | 106 | 0,8 | 85 | 140 | 180 | 250 | M12 |
| 50 | 650 | 265 | 2 | 85 | 140 | 225 | 310 | M12 |
| 50 | 900 | 381 | 1,5 | 85 | 140 | 225 | 310 | M12 |
| 50 | 1000 | 1570 | 5 | 100 | 400 | 500 | 580 | M12 |
| 50 | 1200 | 1356 | 3 | 100 | 400 | 480 | 560 | M12 |
| 50 | 2000 | 414 | 0,33 | 85 | 140 | 225 | 310 | M12 |
| 100 | 3000 | 1865 | 0,33 | 85 | 140 | 225 | 310 | M12 |

Ltd
99-300 Kutno; 1 Grunwaldzka St.
Poland
tel./fax: +48 24 253 60 71
tel. +48 24 355 13 36
<http://www.mitra.com.pl>
e-mail: mitra@mitra.com.pl

MEDIUM - FREQUENCY CAPACITOR WATER COOLING

MF

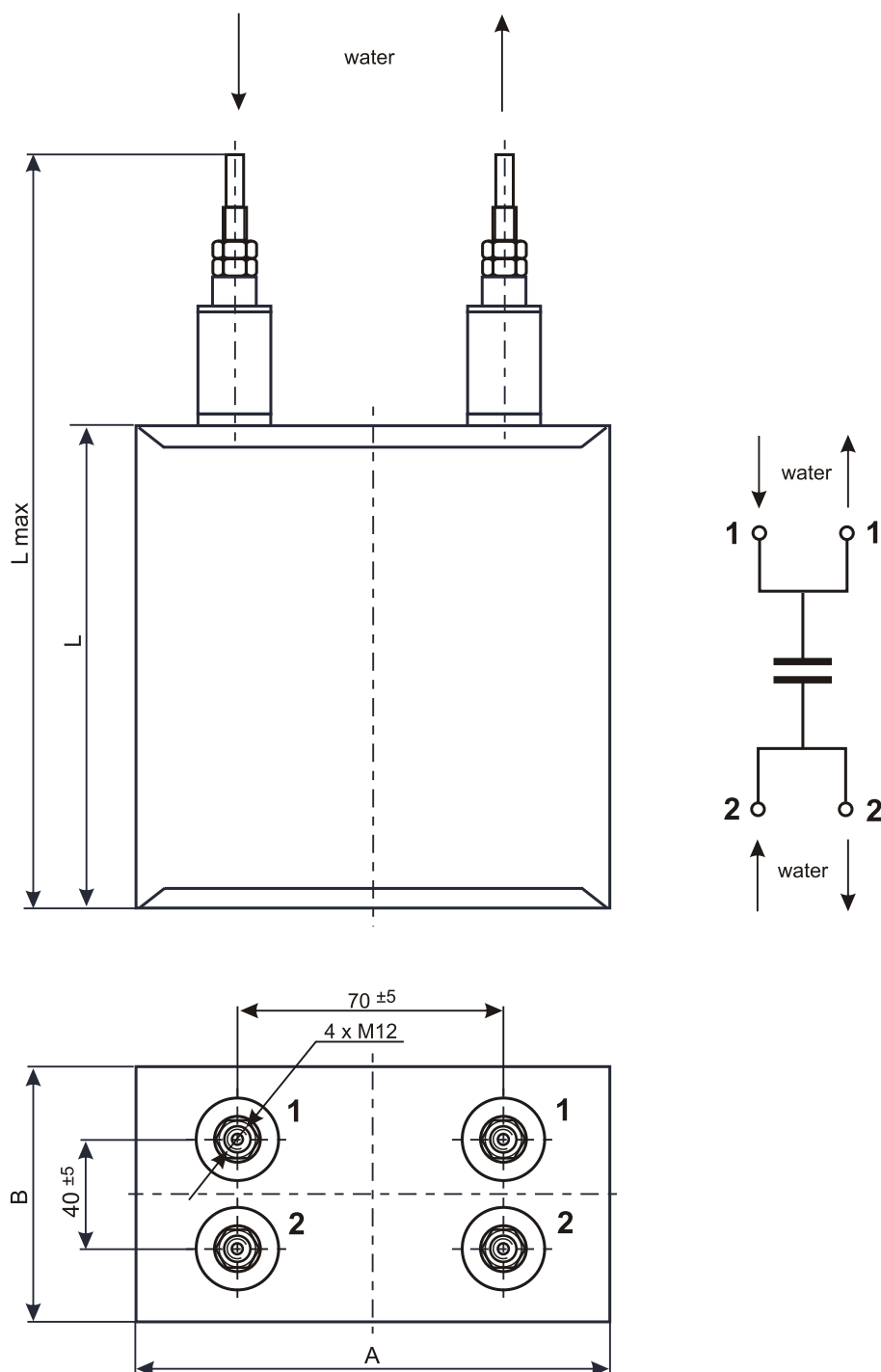


MITRA

Ltd
99-300 Kutno; 1 Grunwaldzka St.
Poland
tel./fax: +48 24 253 60 71
tel. +48 24 355 13 36
<http://www.mitra.com.pl>
e-mail: mitra@mitra.com.pl

MEDIUM - FREQUENCY CAPACITOR WATER COOLING

MF

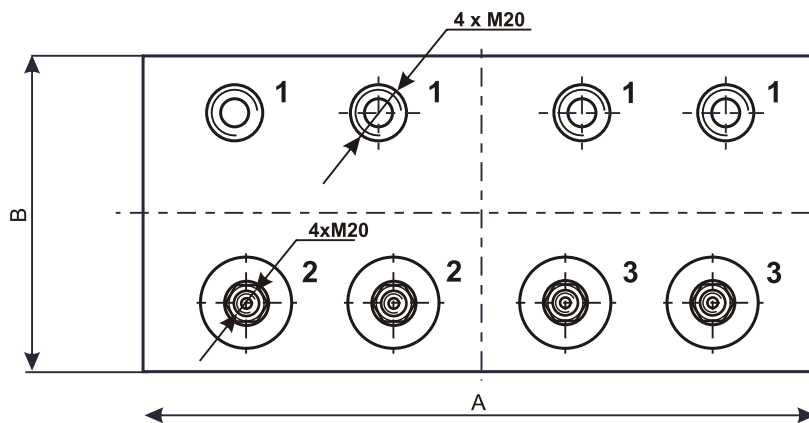
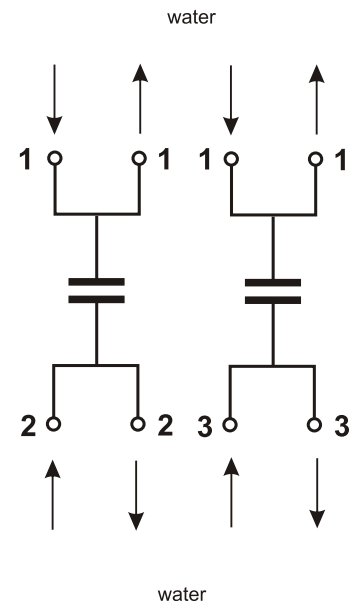
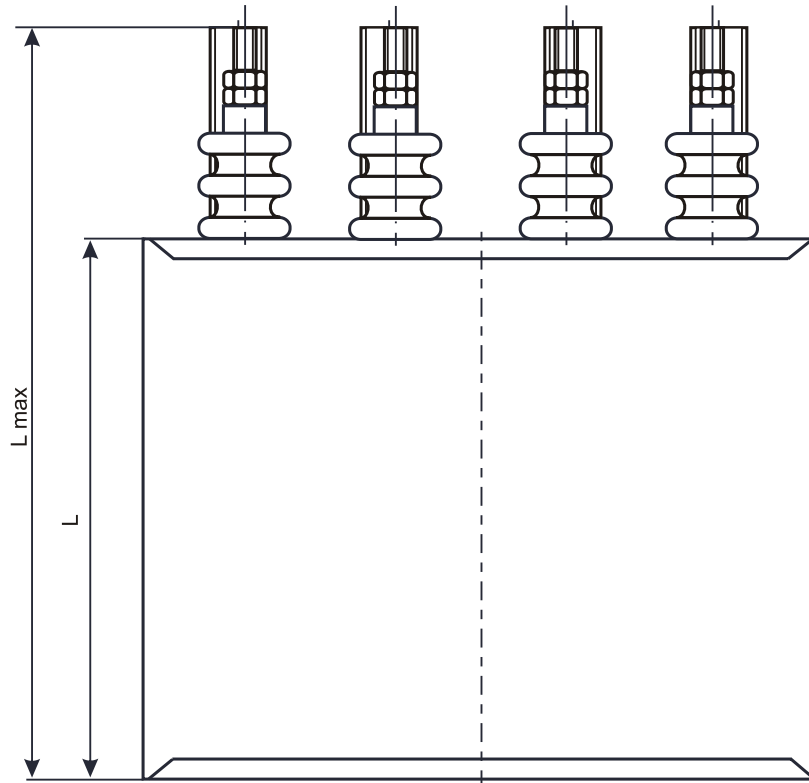


MITRA

Ltd
99-300 Kutno; 1 Grunwaldzka St.
Poland
tel./fax: +48 24 253 60 71
tel. +48 24 355 13 36
<http://www.mitra.com.pl>
e-mail: mitra@mitra.com.pl

MEDIUM - FREQUENCY CAPACITOR WATER COOLING

MF

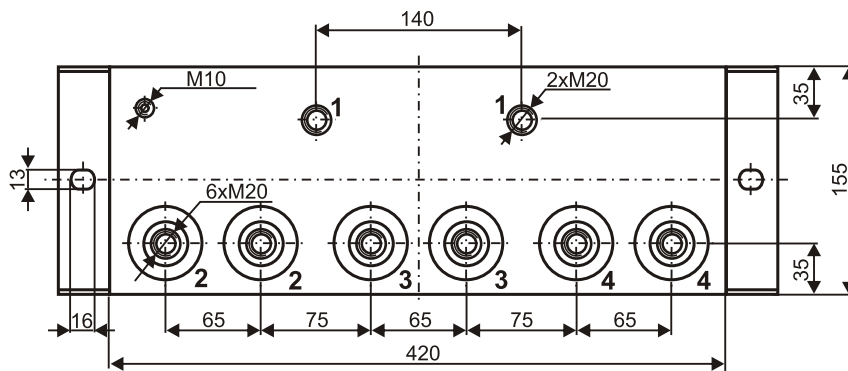
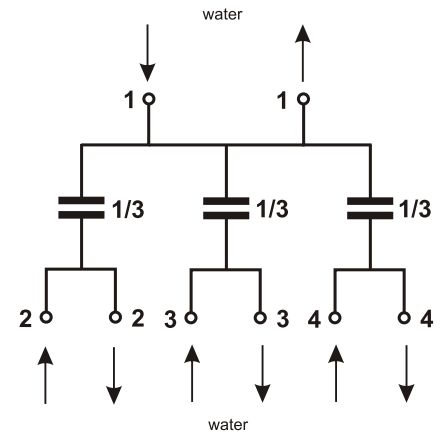
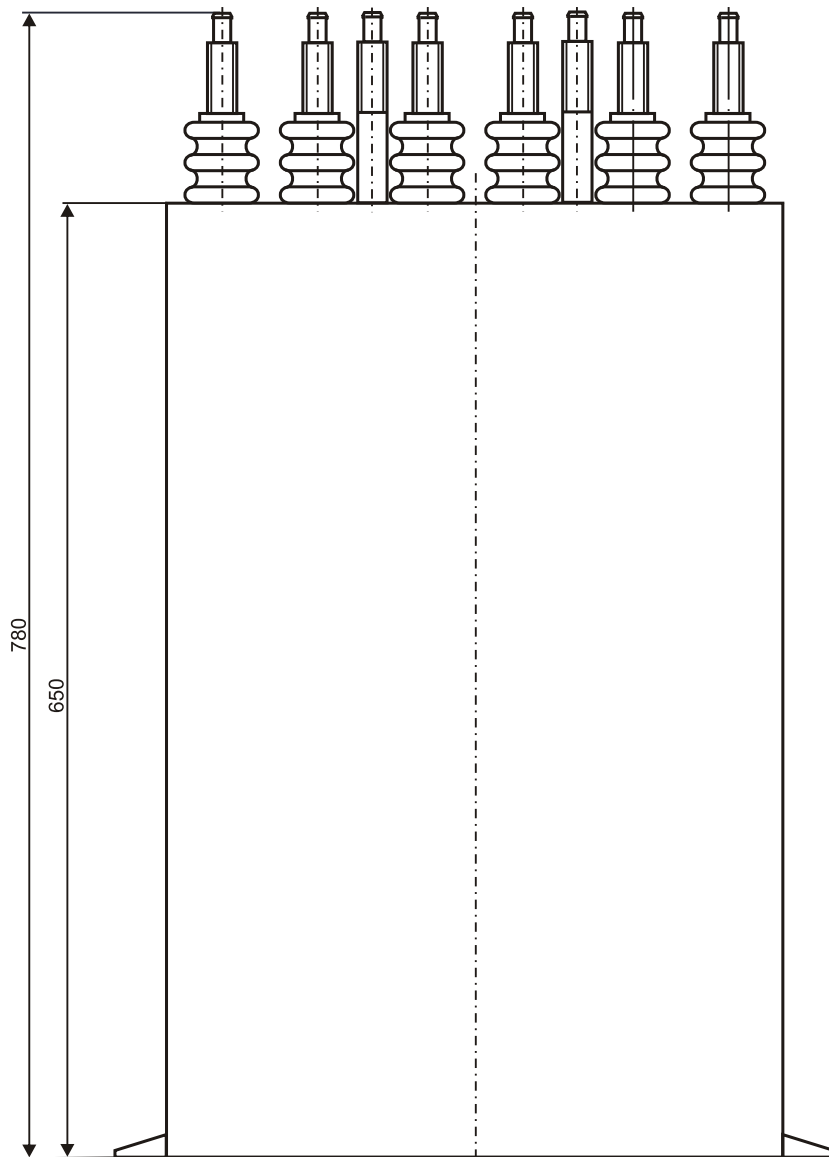


MITRA

Ltd
99-300 Kutno; 1 Grunwaldzka St.
Poland
tel./fax: +48 24 253 60 71
tel. +48 24 355 13 36
<http://www.mitra.com.pl>
e-mail: mitra@mitra.com.pl

MEDIUM - FREQUENCY CAPACITOR WATER COOLING

MF



MITRA

Ltd
 99-300 Kutno; 1 Grunwaldzka St.
 Poland
 tel./fax: +48 24 253 60 71
 tel. +48 24 355 13 36
<http://www.mitra.com.pl>
 e-mail: mitra@mitra.com.pl