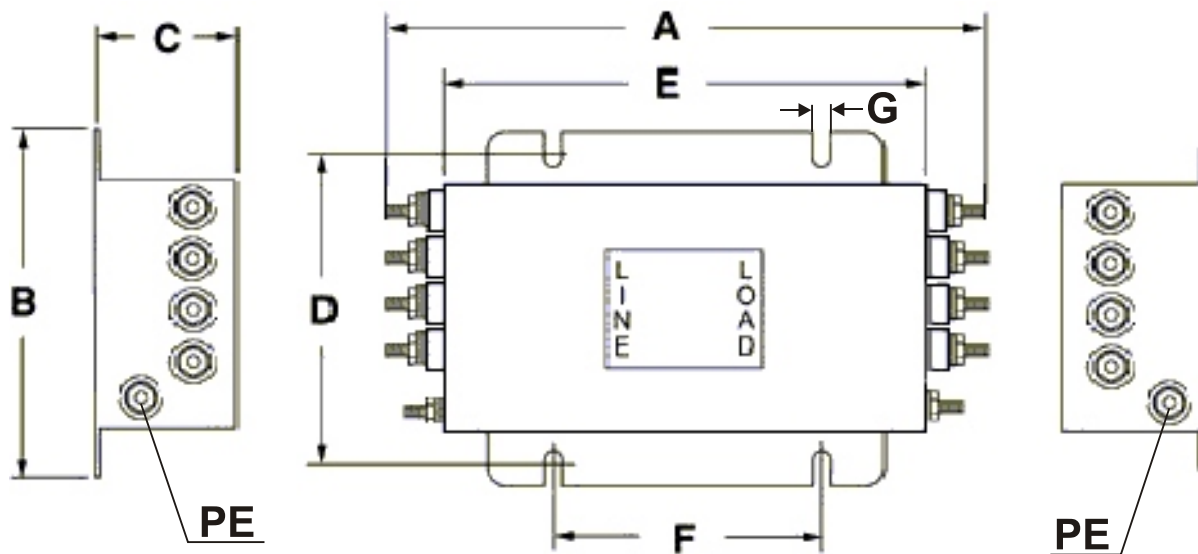
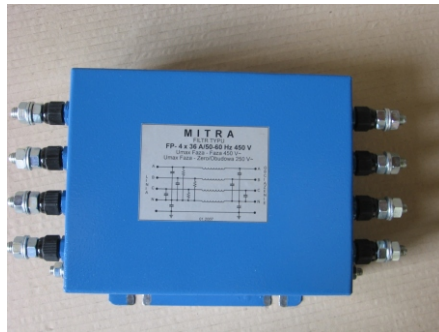


3 - PHASE FILTER



Type	Operating voltage AC 50/60 Hz	Max. current	Suppression /asym./	Terminal In-/output Threaded bolt
FP-4 x 16A	450 V	4 x 16 A	1 - 30 MHz 70 dB	M6
FP-4 x 25A	450 V	4 x 25 A	4 - 30 MHz 70 dB	M6
FP-4 x 36A	450 V	4 x 36 A	2 - 30 MHz 60 dB	M8

Dimensions /in mm/

A	B	C	D	E	F	G	PE
260 ±3	170 ±3	65 ±3	162 ±2	180 ±3	100 ±2	6,5 ±0,5	M6 x 18

MITRA

Ltd
 99-300 Kutno; 1 Grunwaldzka St.
 Poland
 tel./fax: +48 24 253 60 71
 tel. +48 24 355 13 36
<http://www.mitra.com.pl>
 e-mail: mitra@mitra.com.pl